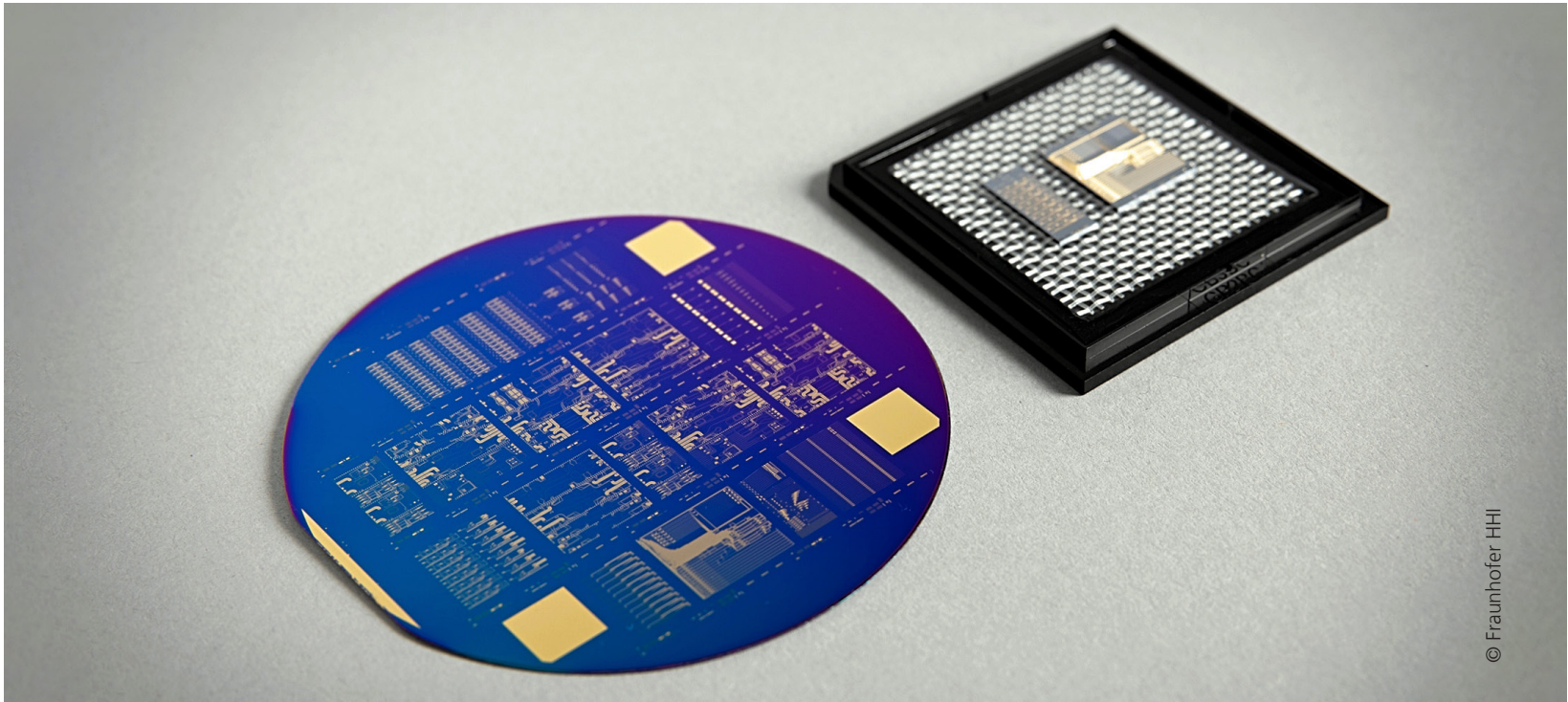


FOUNDRIY SERVICES FOR PHOTONIC INTEGRATED CIRCUITS IN InP



© Fraunhofer HHI

AT A GLANCE

Generic InP technology for large scale monolithic integration, DFB/DBR lasers and SOAs, detectors, full polarization handling

Features

- Our technology enables your design
- Choose from a range of proprietary building blocks or create your own
- Tape out every 3 months
- Design kits available for established software tools
- Packaging services offered by our partners
- Low-cost MPW participation or customer-specific run available

Applications

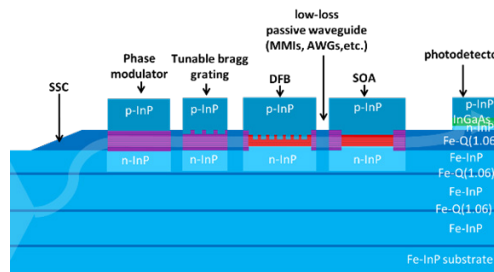
- Optical communications
- Optical filters
- Sensing
- Advanced optical sources

Photonic InP Foundry

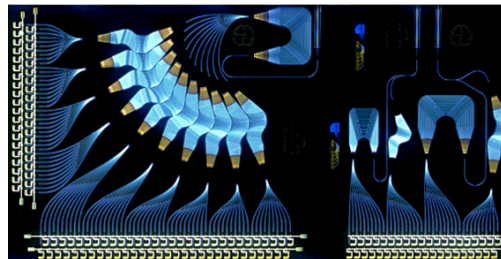
We offer foundry services to fabricate InP-based Photonic-Integrated Circuits (PICs) for any particular application. The designer can choose from a list of fixed photonic devices offered by Fraunhofer HHI, called building blocks (BBs), to add to his PIC design. The designer can optically route the BBs together using our low-loss waveguide technology. Since the technology is generic and application agnostic, multi-project wafer (MPW) runs are offered to allow ultra-low cost prototyping.

Specifications

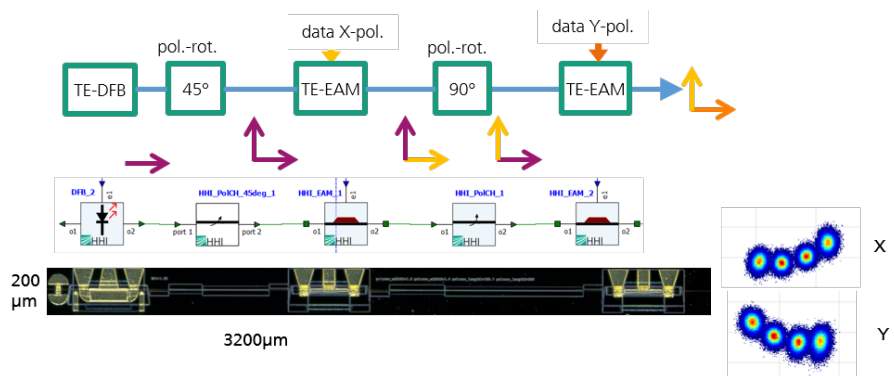
- C-band
- Passive waveguides (Loss < 2 dB/cm)
- DBR laser (50 nm tuning range)
- SOA (gain > 15 dB)
- 40 GHz (balanced) detectors
- 20 GHz directly modulated DFB laser
- 25 GHz modulator (EAM and MZM)
- phase shifters, MMIs, AWGs
- < 2 dB fiber-to-chip coupling
- polarization converter and splitter (PER > 15 dB)
- semi-insulating substrate



Bends	Tunable Gratings	Photodiodes
Couplers	Amplifiers, Phase Sections	Balanced Diodes
Pol. Elements	Lasers	
TO MZIs	EA/EO Modulators	RF tracks, crossings



Bragg Interrogator for 100 sensors on one chip.



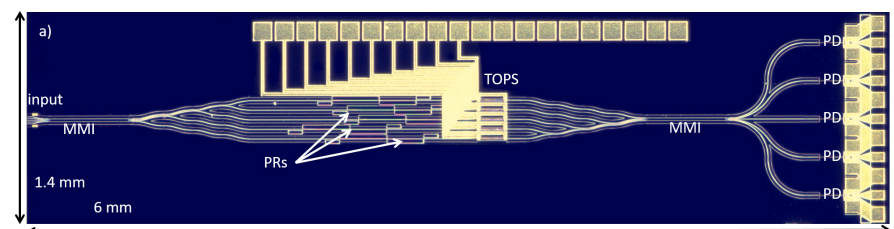
Dual-Pol. transmitter including laser source, designed using compact-model library.

Klemens Janiak
Photonic Components

Phone +49 30 31002-574
klemens.janiak@hhi.fraunhofer.de

Fraunhofer Heinrich Hertz Institute
Einsteinufer 37, 10587 Berlin
Germany

www.hhi.fraunhofer.de/pc



Integrated High-Speed Stokes Rx / Polarimeter.

